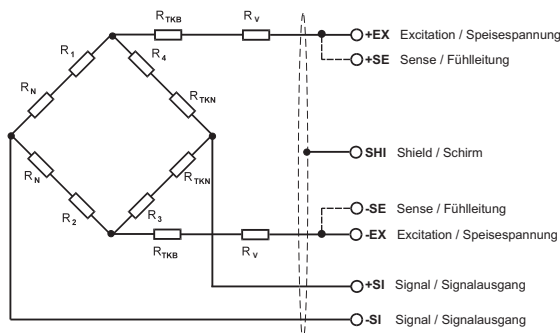


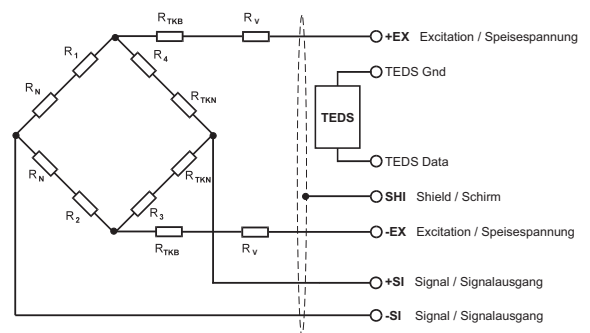
Force Transducer Pin Assignment



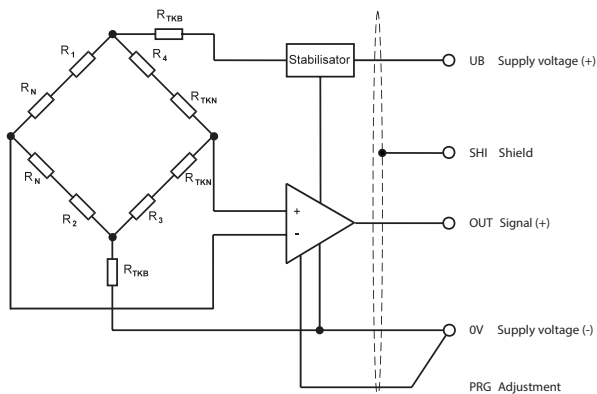
Principle Overview



Force sensor with strain gauge bridge 6-wire



Force sensor with strain gauge bridge TEDS



Force sensor with standard signal output
(0V and PRG to be connected by the customer)

Connections

As standard, shield connected to sensor body
Sensor signal is positive when compression load is applied.

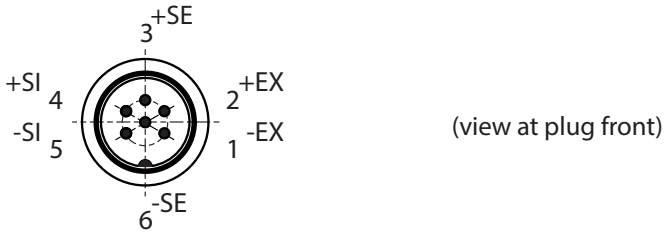
Force sensor with strain gauge bridge

	4-wire			6-wire	
	DIN	1	2	DIN	1
+EX	brown	red	red	brown	brown
-EX	yellow	black	blue	yellow	green
+SI	green	green	green	green	red
-SI	white	white	white	white	white
+SE	-	-	-	grey	grey
-SE	-	-	-	pink	blue
SHI	black	yellow	black	black	black

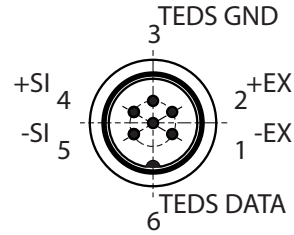
Force sensor with standard signal output

	3-wire DIN	1	2	3
	UB	brown	red	red
0V	yellow	black	blue	brown
OUT+	green	green	green	blue
PRG/ Test	white	white	white	white
SHI	black	yellow	black	yellow

6-pin plug for force sensor with strain gauge bridge

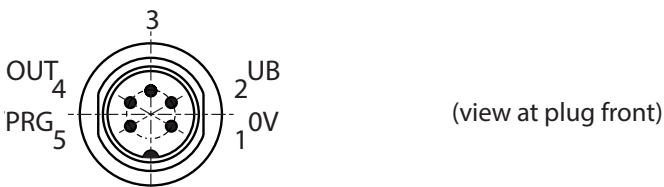


XKC 041 Coupling plug instead of free cable ends
XKC 043 Flange plug on the sensor housing



XKC 071 Coupling plug on the sensor cable
XKC 043 Flange plug on the sensor housing

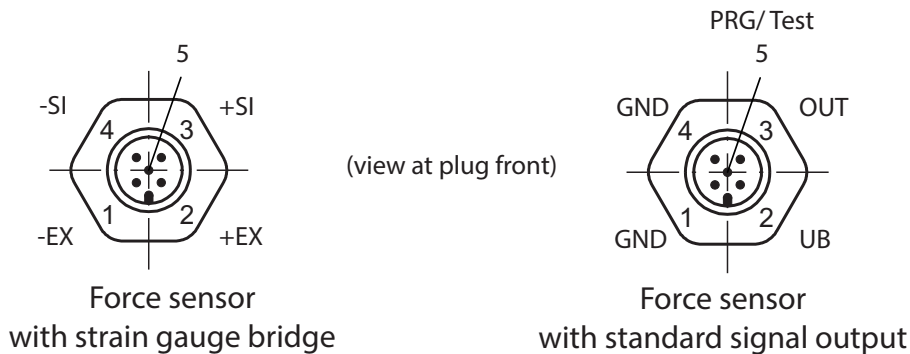
5-pin plug for force sensor with standard signal output



XKC 066 Coupling plug instead of free cable ends
XKC 065 Flange plug on the sensor housing

Options

Flange plug M12x1 on the sensor housing XKC 044.xx



Accessoires

	Type code	Description	
Cable	XKC 046.xx	Connection cable with cable socket suitable for flange plug XKC 044 (M12x1), IP67	
	XKC 042.01	Special cable, drag chainable, halogen free (RoHS) and oil resistant, (Standard SD 200C)	
	XKC 042.02	Special cable, seawater resistant, halogen free (RoHS), oil resistant	